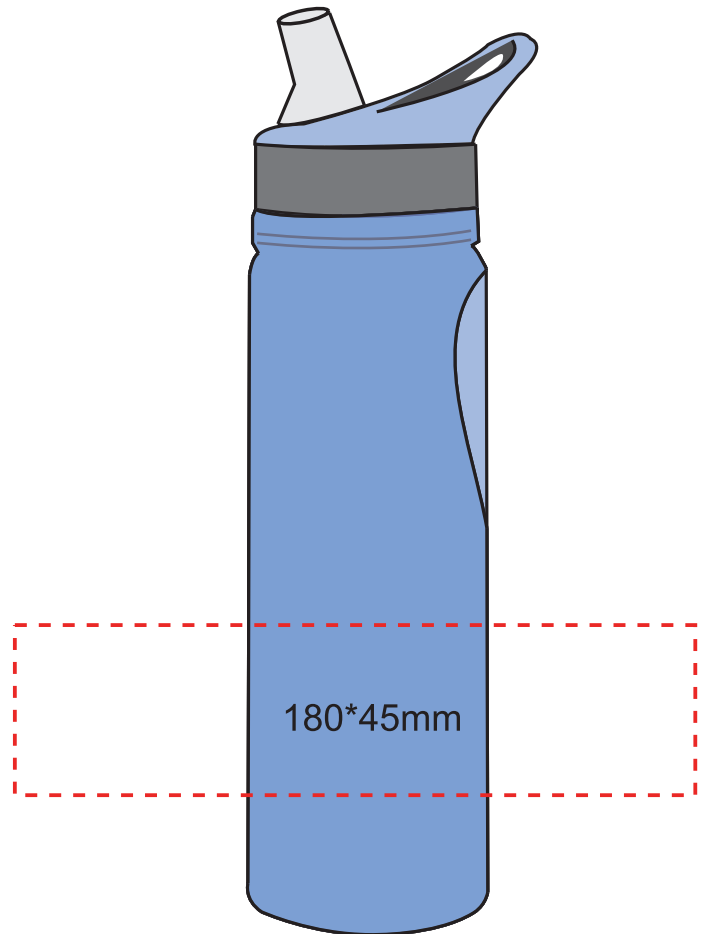


ARTWORK FOR APPROVAL

scale 50%



- > Product Code: Jm024
- > Product Size: 245X78MM
- > Decoration Area: Rotary screen print:180(W)X45(H)MM (maximum 1 colour)

job will not proceed without signature approval. If approval is not approved, delivery could be jeopardised.

NOTE: Ensure that this Proof is correct & in accordance with your instructions. CLIENTS SIGNATURE IS ACCEPTANCE THAT ALL ARTWORK IS CORRECT.

PLEASE TICK APPROPRIATE BOX, SIGN AND RETURN BY FAX A.S.A.P. -

ARTWORK APPROVED (Print as shown)

AMEND ARTWORK WITH CORRECTIONS (Re-fax for approval)

Ensure these (artwork)
details are correct

PLEASE TICK

Spelling Product

Colours Size

Name: _____

Signature: _____ Date: _____