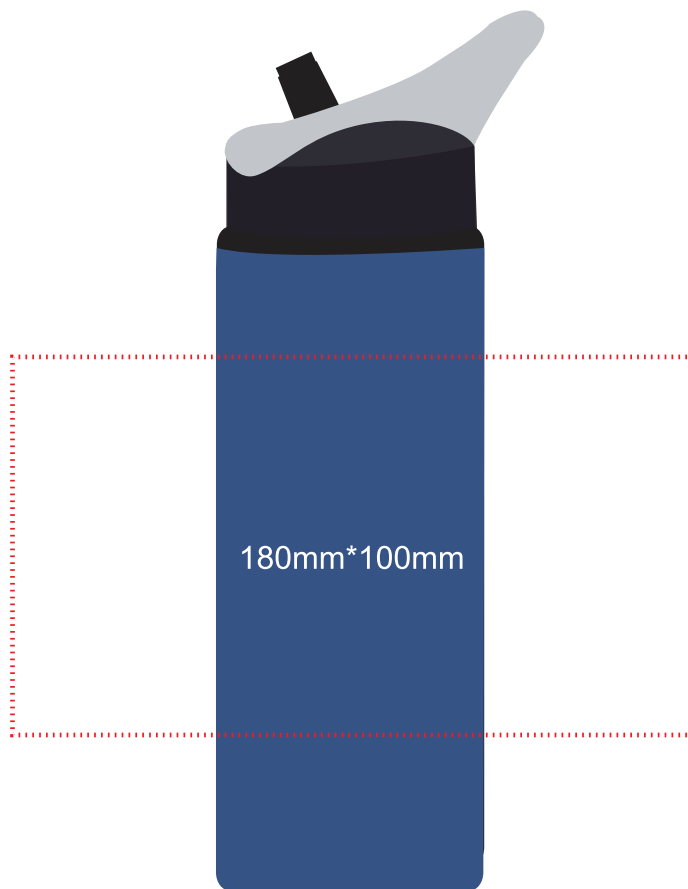


ARTWORK FOR APPROVAL

@50% size



- > Product Code: Jm045
- > Product Size: 245x72mm
- > Decoration Area:
 - Laser Engraving: 35(W)X40 (H) MM
 - Pad print: 40(W)X50 (H) MM (maximum 2 colours)
 - Rotary screen print: 180(W)X100(H)MM (maximum 1 colour)
 - 4c Direct Digital Print: 25(W) x 75(H) MM; 25(W) x 100(H)MM

job will not proceed without signature approval. If approval is not approved, delivery could be jeopardised.

NOTE: Ensure that this Proof is correct & in accordance with your instructions. CLIENTS SIGNATURE IS ACCEPTANCE THAT ALL ARTWORK IS CORRECT.

PLEASE TICK APPROPRIATE BOX, SIGN AND RETURN BY FAX A.S.A.P. -

- ARTWORK APPROVED** (Print as shown) **AMEND ARTWORK WITH CORRECTIONS** (Re-fax for approval)

Ensure these (artwork) details are correct

PLEASE TICK

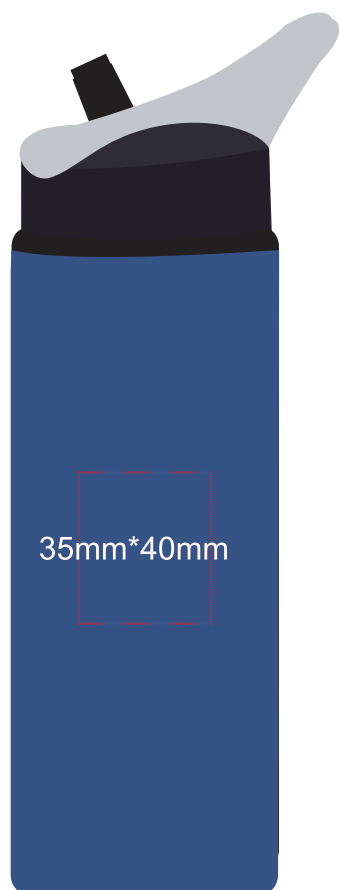
Spelling Product

Colours Size

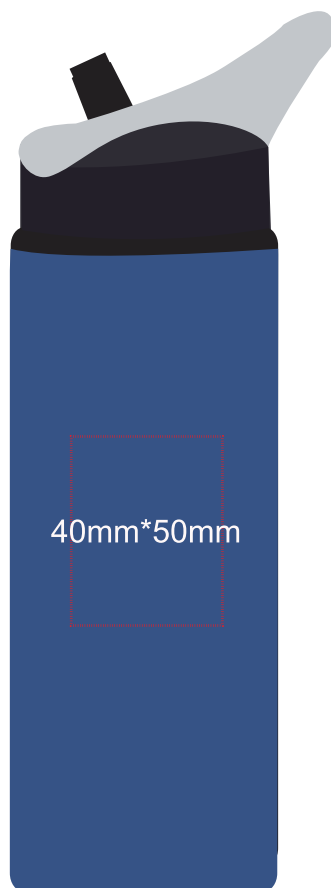
Name: _____

Signature: _____ Date: _____

laser



pad print



digital

