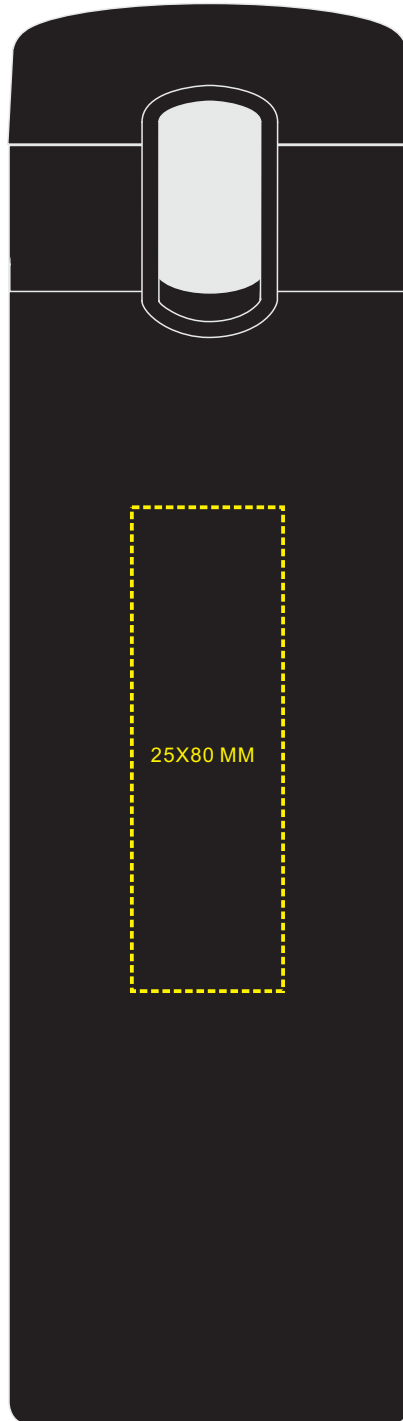
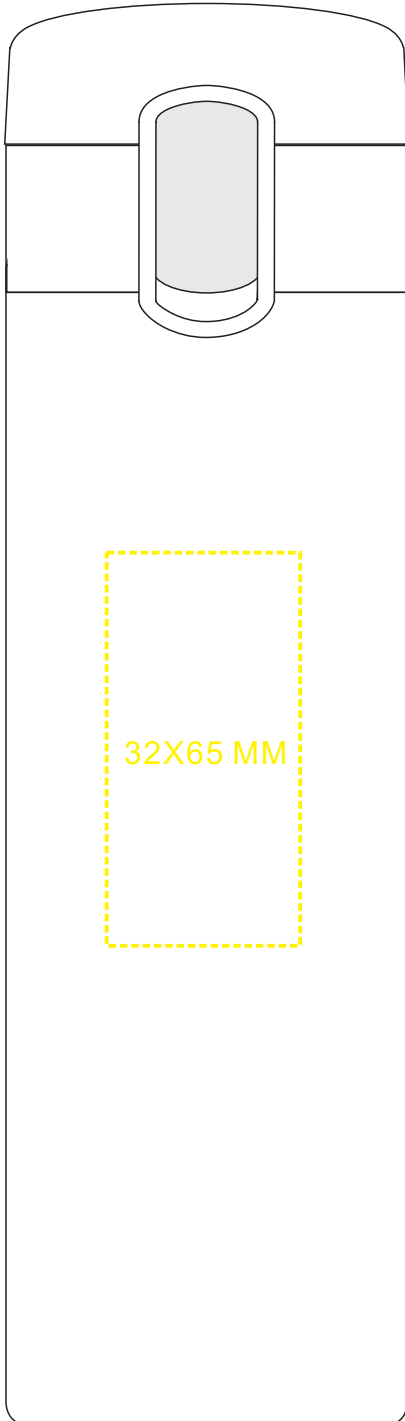


# ARTWORK FOR APPROVAL

SCALE 80%



**job will not proceed without signature approval.** *If approval is not approved, delivery could be jeopardised.*

**NOTE:** Ensure that this Proof is correct & in accordance with your instructions. CLIENTS SIGNATURE IS ACCEPTANCE THAT ALL ARTWORK IS CORRECT.

**PLEASE TICK APPROPRIATE BOX, SIGN AND RETURN BY FAX A.S.A.P. -**

**ARTWORK APPROVED** *(Print as shown)*

**AMEND ARTWORK WITH CORRECTIONS** *(Re-fax for approval)*

Ensure these (artwork)  
details are correct

**PLEASE TICK**

Spelling  Product

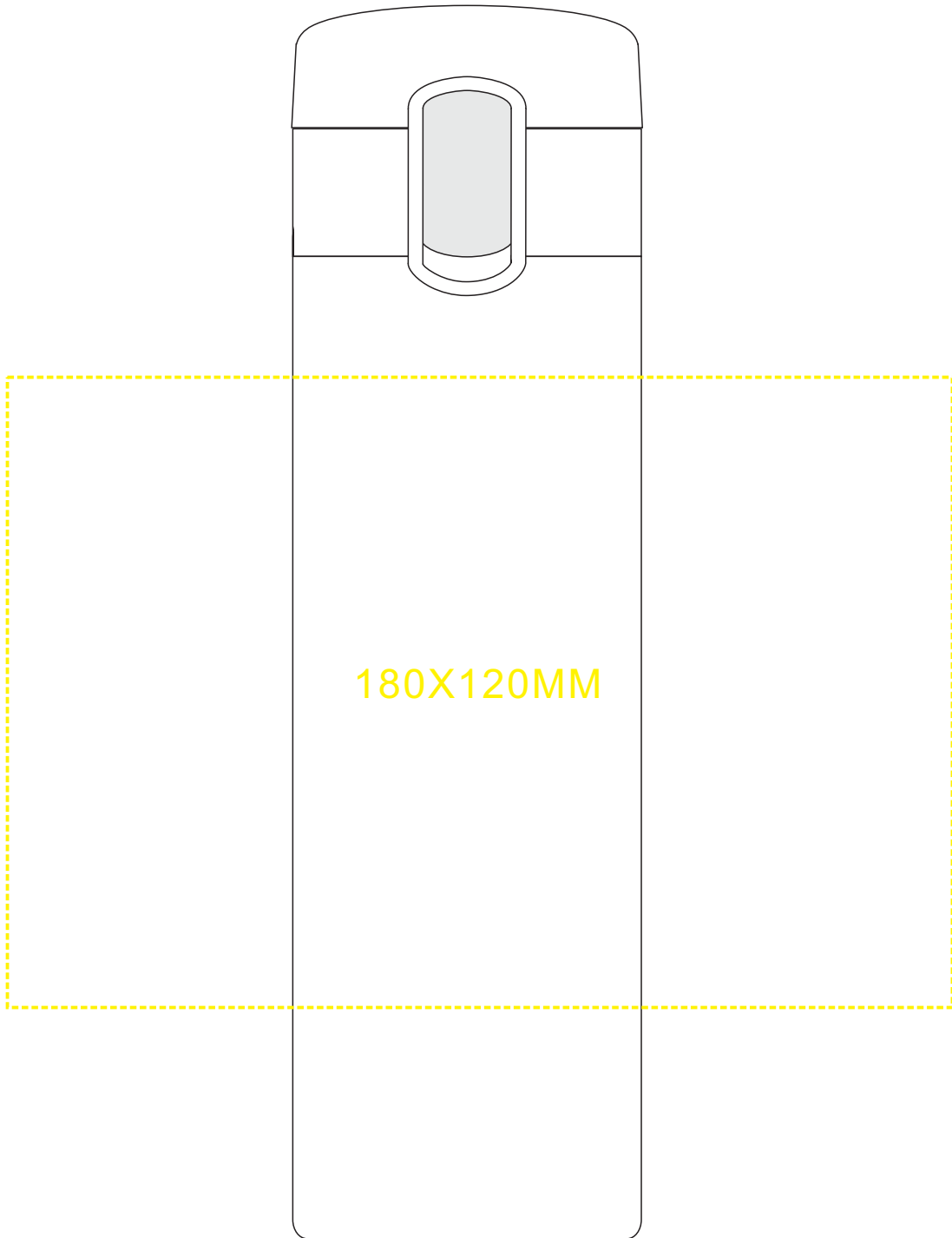
Colours  Size

Name: \_\_\_\_\_

Signature: \_\_\_\_\_ Date: \_\_\_\_\_

# ARTWORK FOR APPROVAL

## SCALE 80%



**job will not proceed without signature approval.** *If approval is not approved, delivery could be jeopardised.*

**NOTE:** Ensure that this Proof is correct & in accordance with your instructions. CLIENTS SIGNATURE IS ACCEPTANCE THAT ALL ARTWORK IS CORRECT.

**PLEASE TICK APPROPRIATE BOX, SIGN AND RETURN BY FAX A.S.A.P. -**

**ARTWORK APPROVED** *(Print as shown)*

**AMEND ARTWORK WITH CORRECTIONS** *(Re-fax for approval)*

*Ensure these (artwork)  
details are correct*

**PLEASE TICK**

Spelling  Product

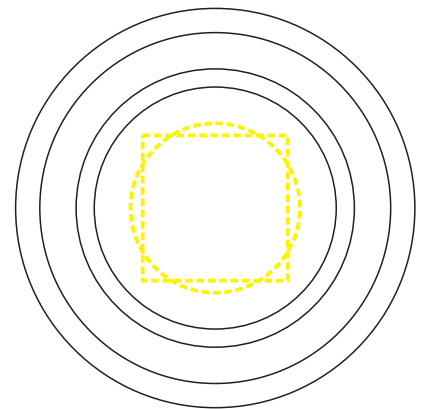
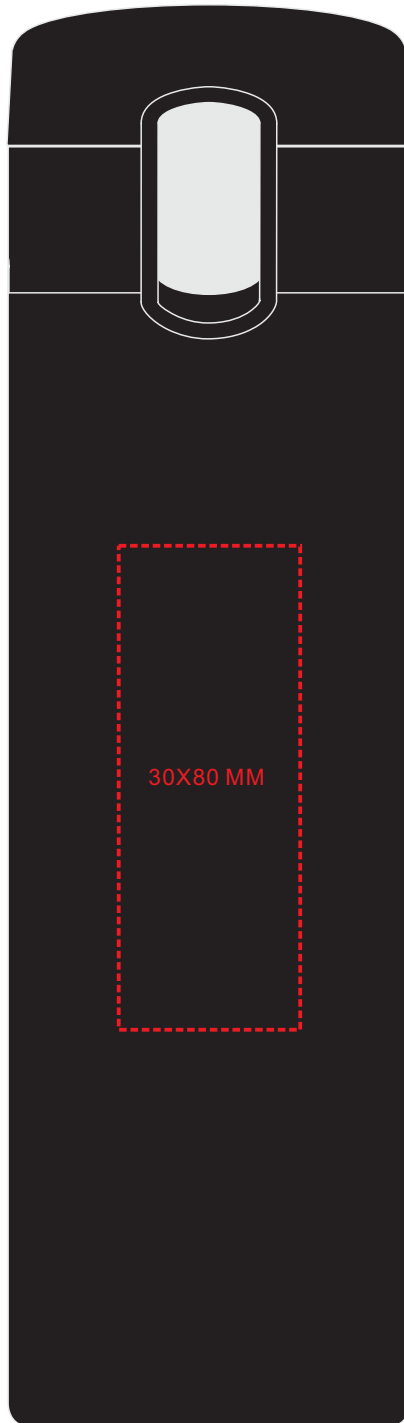
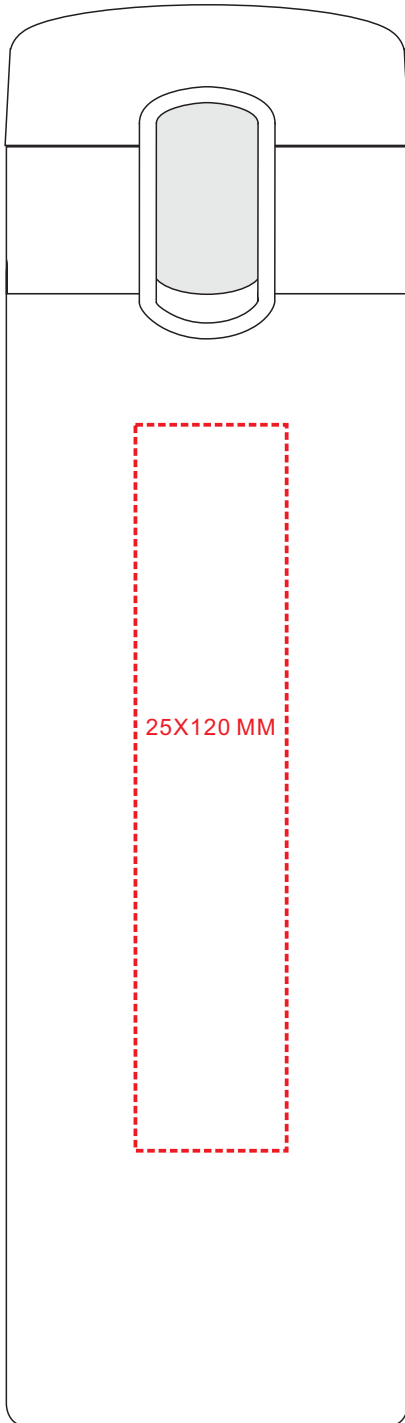
Colours  Size

Name: \_\_\_\_\_

Signature: \_\_\_\_\_ Date: \_\_\_\_\_

# ARTWORK FOR APPROVAL

SCALE 80%



30X30MM OR  
35 MM DIA

**job will not proceed without signature approval.** *If approval is not approved, delivery could be jeopardised.*

**NOTE:** Ensure that this Proof is correct & in accordance with your instructions. CLIENTS SIGNATURE IS ACCEPTANCE THAT ALL ARTWORK IS CORRECT.

**PLEASE TICK APPROPRIATE BOX, SIGN AND RETURN BY FAX A.S.A.P. -**

**ARTWORK APPROVED** *(Print as shown)*

**AMEND ARTWORK WITH CORRECTIONS** *(Re-fax for approval)*

Ensure these (artwork)  
details are correct

**PLEASE TICK**

Spelling  Product

Colours  Size

Name: \_\_\_\_\_

Signature: \_\_\_\_\_ Date: \_\_\_\_\_