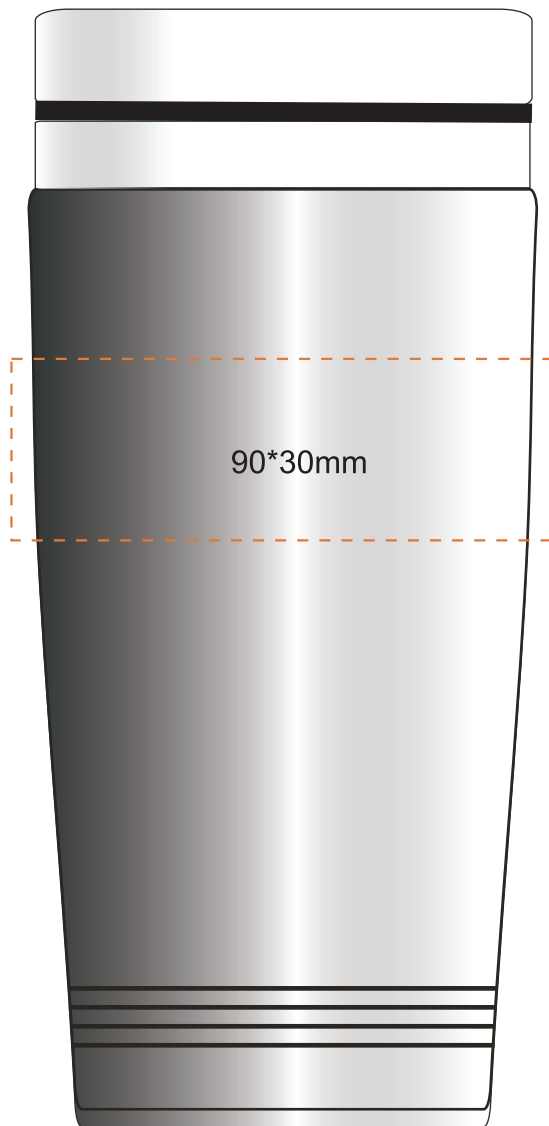


# ARTWORK FOR APPROVAL

@80%



- > Product Code: Jm002
- > Product Size: 184(H)x84(W)mm
- > Decoration Area: Laser Engraving:35mm x 35mm  
Pad Printing:35mm x 35mm (maximum 1 colours)  
Screen printing: 90mm W x 30 mm H (maximum 1 colour)

**job will not proceed without signature approval.** *If approval is not approved, delivery could be jeopardised.*

**NOTE:** Ensure that this Proof is correct & in accordance with your instructions. CLIENTS SIGNATURE IS ACCEPTANCE THAT ALL ARTWORK IS CORRECT.

**PLEASE TICK APPROPRIATE BOX, SIGN AND RETURN BY FAX A.S.A.P. -**

**ARTWORK APPROVED** *(Print as shown)*       **AMEND ARTWORK WITH CORRECTIONS** *(Re-fax for approval)*

Ensure these (artwork) details are correct

**PLEASE TICK**

Spelling  Product

Colours  Size

Name: \_\_\_\_\_

Signature: \_\_\_\_\_ Date: \_\_\_\_\_