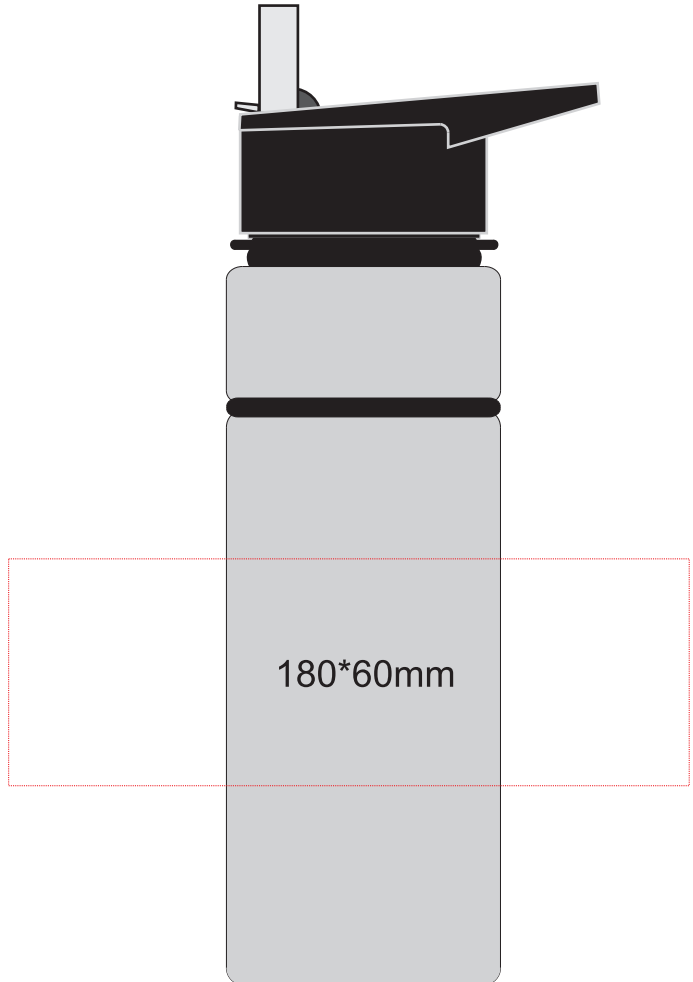
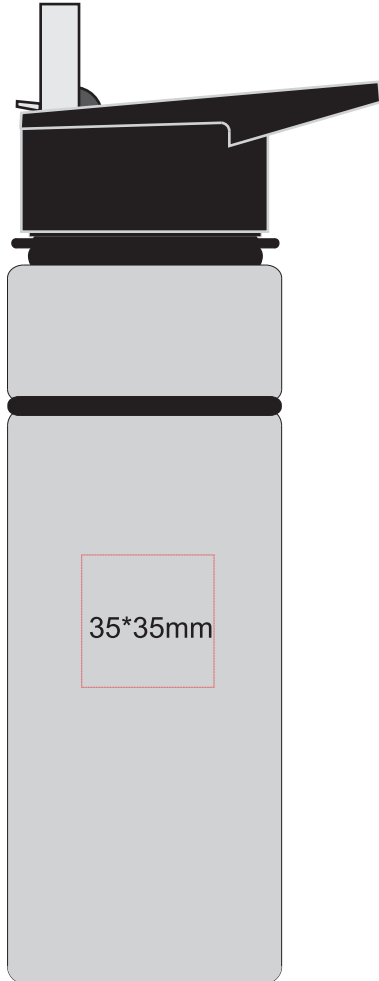


# ARTWORK FOR APPROVAL

scale 50%



- > Product Code: Jm013
- > Product Size: 230X78 MM
- > Decoration Area: Laser Engraving:35mm x 35mm  
Rotary print: 180mm W X 60mm H, (maximum 1 colour)

**job will not proceed without signature approval. *If approval is not approved, delivery could be jeopardised.***

**NOTE:** Ensure that this Proof is correct & in accordance with your instructions. CLIENTS SIGNATURE IS ACCEPTANCE THAT ALL ARTWORK IS CORRECT.

**PLEASE TICK APPROPRIATE BOX, SIGN AND RETURN BY FAX A.S.A.P. -**

**ARTWORK APPROVED** (*Print as shown*)

**AMEND ARTWORK WITH CORRECTIONS** (*Re-fax for approval*)

Ensure these (artwork)  
details are correct

Spelling  Product

Name: \_\_\_\_\_

**PLEASE TICK**

Colours  Size

Signature: \_\_\_\_\_ Date: \_\_\_\_\_